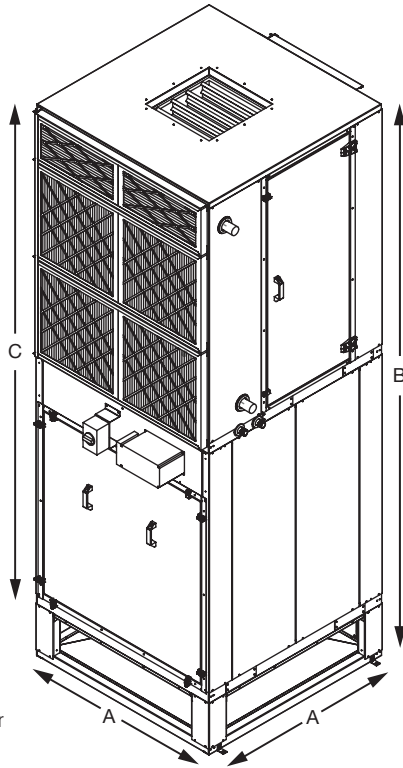


DIMENSIONAL DATA



NOTES:

1. Dimension UH varies per order
 - Minimum 10"
 - Maximum 24"
2. UL1995/CSA22.2 No. 236 Certified
3. Other mixing box arrangements available, see page 3.

Size	Design Airflow (cfm)	Unit Width (A) ¹	Overall Height (B) ²	Above Floor Height (C)
25	2,500	30	92.5	78.5
50	5,000	40	115	101
75	7,500	49	135	121
100	10,000	52	143	129
125	12,500	58	153	139
150	15,000	64	172	158
175	17,500	72	182	168

¹ All units have a square cross-section.

² All units come with a standard underfloor height of 14 in. Underfloor height may vary by job and needs to be verified prior to ordering.



NOMINAL PERFORMANCE DATA

Model	Rated Airflow (cfm)	Design OA (cfm)	Design Coil Airflow (cfm)	Maximum ESP with design coil (in.w.c.) ¹	Maximum BHP with design coil (BHP)	Cooling Coil		
						Fin Area (ft ²)	Total Coil Capacity ² (MBH)	Coil PD at design (in.w.c.)
25	2,500	750	1,250	1.8	1.8	3.7	43.0	0.31
50	5,000	1,500	2,300	1.0	2.7	7.7	89.4	0.25
75	7,500	2,250	3,450	1.3	4.5	13.2	144.1	0.18
100	10,000	3,000	4,600	1.9	6.7	14.3	181.9	0.25
125	12,500	3,750	5,750	0.9	5.4	16.5	229.1	0.32
150	15,000	4,500	6,900	0.8	6.3	23.0	278.9	0.23
175	17,500	5,250	8,050	1.4	9.1	26.5	330.7	0.23

¹ Maximum ESP based on average filter pressure drop and design cooling coil pressure drop with 4 discharge openings.

² Total capacity based on design for 62°F supply air, 80/67°F db/wb return air, and 55/55°F db/wb outdoor air.

Note: Sound power level data is available upon request.